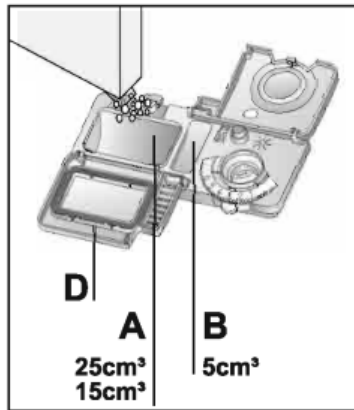
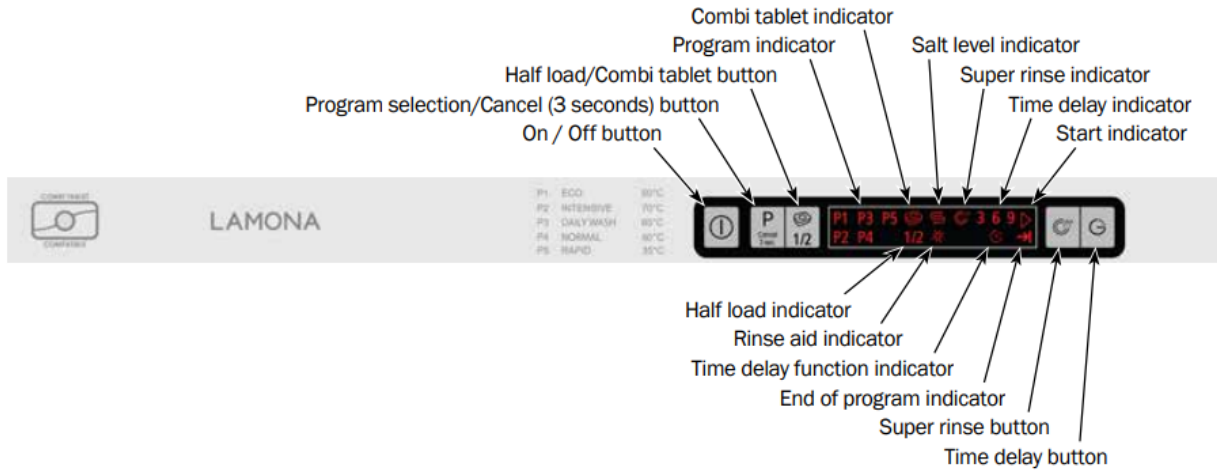


Dishwasher Instructions



Add 1 dishwasher tablet to compartment A and close.

1. Turn on the dishwasher, on/off button.
2. Select the desired program with button P (program).
3. The Dishwasher will start when you close the door.