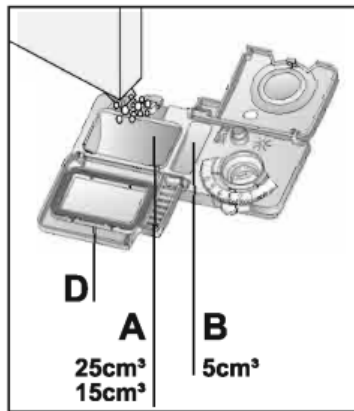


Dishwasher Instructions



Add 1 dishwasher tablet to compartment A and close.

1. Turn on the dishwasher on the on/off button.
2. Select the desired program with button P.
3. Press the start / stop button and close the door.