

---

**CANDY**

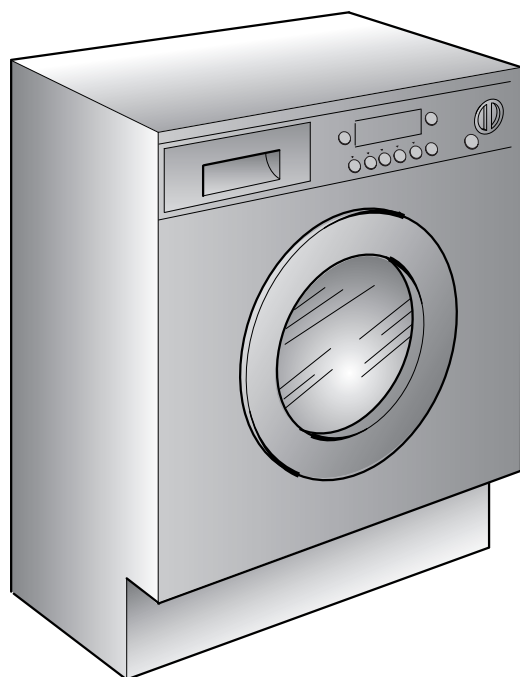
---

Washer Dryer

Instructions for use

**CDB 854 D UK**

---



## Introduction

Please read these instructions for use carefully and all other information enclosed with the washing machine.

Keep all documentation in a safe place for future reference or for any future owners.



**Note: this machine is solely for domestic use.**

### Notes on disposal

All packaging material used is environmentally-friendly and recyclable. Please help dispose of the packaging via environmentally-friendly means.

**Your supplier or local council will be able to give you details of current means of disposal.**

Valuable materials can be salvaged from an old appliance via scrap reprocessing.

**Note: pull out the mains plug from any old appliance. Cut the power cable and dispose of it, together with the plug.**

When disposing of an old washing machine, please ensure that the door lock is rendered inoperable to prevent children shutting themselves in the appliance.

## Contents

## Page

Introduction	2
General delivery notes	4
Safety notes	4
<b>Quick start</b>	5
Description of controls	6
Programme Table	14
Programme selector	16
Detergent drawer	19
Detergents, washing aids and amounts to use	20
Useful advice for the user	22
The main wash	23
Drying	25
Automatic washing/drying cycle	26
Drying cycle	27
Cleaning and routine maintenance	29
Investigating malfunctions	30
Technical data	32
<b>Setting up + installation</b>	33

**BEFORE SWITCHING ON THE APPLIANCE MAKE SURE IT IS CORRECTLY INSTALLED AND THAT THE TRANSIT SCREWS ARE REMOVED AS SHOWN IN PAGE 33.**

## General delivery notes

On delivery check that there is the following with the appliance:

- Instruction manual
- Certificate of guarantee
- Caps
- Inlet hose

and check that no damage has occurred during transit, and if so, call your nearest Authorised Technical Support Service agent (see Customer Service)

## Safety notes.

### Note: for any cleaning or maintenance procedure for the washing machine

- A) Pull out the plug
- B) Turn off the tap
- C) Candy equips all its appliances with earthing. Ensure that the mains supply is earthed, and if it is not, seek assistance from a qualified person.
- D) Do not touch the appliance when hands or feet are wet or damp. Do not use the appliance with bare feet.
- E) The use of adapters, multiple connectors and/or extensions is not recommended.

### Note: water temperature can reach 90°C during the wash cycle

- F) Check there is no water left in the drum before opening the door.
- G) This appliance is not intended for use by persons (including children) with reduced physical, sensory or mental capabilities, or lack of experience and knowledge, unless they have been given supervision or instruction concerning use of the appliance by a person responsible for their safety.  
Children should be supervised to ensure that they do not play with the appliance.
- H) Do not pull the power cable or the appliance itself to remove the plug from the socket.
- I) The appliance must not be exposed to weather conditions (rain, direct sun, etc...)
- L) When moving the appliance never lift it by the controls or by the detergent drawer.  
When in transit never rest the door against the trolley or transport the appliance without the polystyrene base.

### M) **N.B!**

If the appliance is installed on a carpeted floor ensure that the ventilation holes on the base of the appliance are not obstructed.

- N) If the appliance is not running properly or breaks down, switch it off, turn off the tap and do not tamper with the appliance.

Consult only the Authorised Technical Support Service for possible repair and ask them to use original spare parts.

Failure to comply with the above can compromise the safety of the appliance.

- O) If the appliance's power cable should ever need replacing, consult the Authorised Technical Support Service

## Quick start

### Washing

- Open the door by using the button "A" (Fig. 1, page 6)
- Select laundry and put it in the machine
- Close the door
- Put detergent in the compartments as indicated in the programme guide in this instruction manual
- Select programme
- The display will show the settings for the programme selected.
- Adjust the wash temperature if necessary.

### DRYING

**If you would like the drying cycle to begin automatically after washing, select the programme required using the Drying Selection button.**

**Otherwise it is possible to finish the wash and then decide on the drying programme and load.**

### Press additional function buttons (if required)

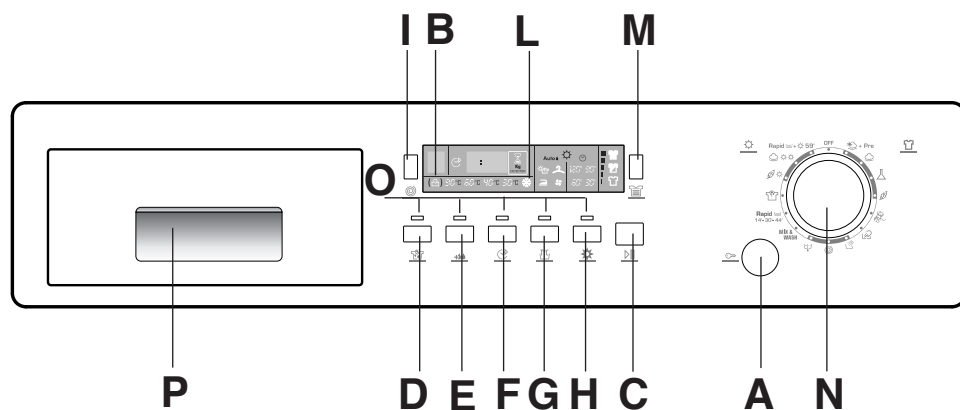
- Press the "Start/Pause" button (page 8)
- The programme starts.

### After washing

- **The word "End" will appear on the display.**
- **Wait for the door lock to be released (about 2 minutes after the programme has finished). The "Door Security" indicator light will go out.**
- **Switch off the washing machine by turning the selector to "OFF" position.**
- **Open the door and remove the laundry.**

Ensure that the machine is correctly installed in line with the instructions found on page 33.

## Description of controls



Door open button	A
"Door Security" indicator light	B
"Start/Pause" button	C
"Stain Vanish" button	D
"Allergy Care" button	E
"Delay Start" button	F
"Temperature Selection" button	G
"Drying Selection" button	H
"Spin Speed" button	I
Digital display	L
Stain Level button	M
Programme selector with "OFF" position	N
Buttons indicator light	O
Detergent drawer	P

## "KG DETECTOR"

(Function active only on Cotton and Synthetics programmes)

Through every wash phase "KG DETECTOR" allows to monitor information on the wash load in the drum.

So, as soon as the "KG DETECTOR" is set in motion, in the first 4 minutes of the wash, it:

- adjusts the amount of water required
- determines the length of the wash cycle
- controls rinsing

according to the type of fabric selected to be washed it:

- adjusts the rhythm of drum rotation for the type of fabric being washed
- recognises the presence of lather, increasing, if necessary, the amount of water during rinsing
- adjusts the spin speed according to the load, thus avoiding any imbalance.

In this way "KG DETECTOR" is able to decide, by itself, the most suitable programme for each individual wash from the hundreds of possible wash combinations.

"KG DETECTOR" meets the need for easy use by permitting a simplified programme selection. In fact, the user need only tell the machine the type of fabric in the drum and the degree of soiling, to obtain a perfect wash with the highest level of drying possible with a spin which really cares for your clothes.

## Door open button

Press the button to open the door.

Important:

a special safety device prevents the door from opening at the end of the wash/spin cycle. at the end of the spin phase wait up to 2 minutes before opening the door.

# A

## “DOOR SECURITY” indicator light

# B

The “Door Security” indicator light is illuminated when the door is fully closed and the machine is ON. When “Start/Pause” is pressed on the machine with the door closed the indicator will flash momentarily and then illuminate.

**If the door is not closed the indicator will continue to flash.**

A special safety device prevents the door from being opened immediately after the end of the cycle. Wait for 2 minutes after the wash cycle has finished and the “Door Security” light has gone out before opening the door. At the end of the cycle turn the programme selector to “OFF” .

## “START/PAUSE” button

# C

Press to start the selected cycle .

### NOTE:

**few seconds after the start the wash cycle will begin. During the first 4 minutes of the wash cycle, the kG DETECTOR (active only on cotton and synthetics programmes) will weigh the clothes and update the maximum wash time remaining on the display every five seconds until the weight has been determined. While this function is operating the “kG DETECTOR” indicator is on.**

### Changing the settings after the programmes has started (PAUSE)

Press and hold the “START/PAUSE” button for about 2 seconds, the flashing lights on the options buttons and time remaining indicator will show that the machine has been paused, adjust as required and press the “START/PAUSE” button again to cancel the flashing lights. If you wish to add or remove items during washing, wait 2 minutes until the safety device unlocks the door.

When you have carried out the manoeuvre, close the door, press “Start/Pause” button and the appliance will continue working where it left off.

### CANCELLING THE PROGRAMME

To cancel the programme, set the selector to the OFF position.

Select a different programme.

Re-set the programme selector to the OFF position.

The option buttons should be selected before pressing the “Start/Pause” button.

## “STAIN VANISH” Button



# D

By pressing this button, which can only be activated in the **Cotton** cycles, the sensors in the new system come into operation. They affect both the selected temperature, keeping it at a constant level throughout the wash cycle, and the mechanical function of the drum.

The drum is made to turn at two different speeds at crucial moments. When the detergent enters the garments, the drum rotates in such a way that the detergent is distributed in a uniform manner; during the wash and rinse procedures, however, the speed increases in order to maximise the cleaning action. Thanks to this special system, the efficiency of the wash procedure is improved WITHOUT ANY INCREASE IN THE LENGTH OF THE PROGRAM.

## “ALLERGY CARE” button



# E

By pressing this button you can activate a special new wash cycle in the **Cotton** and **Mixed Fabrics** programs, thanks to the new Sensor System. This option treats with care the fibres of garments and the delicate skin of those who wear them.

The load is washed in a much larger quantity of water and this, together with the new combined action of the drum rotation cycles, where water is filled and emptied, will give you garments which have been cleaned and rinsed to perfection. The amount of water in the wash is increased so that the detergent dissolves perfectly, ensuring an efficient cleaning action. The amount of water is also increased during the rinse procedure so as to remove all traces of detergent from the fibres. This function has been specifically designed for people with delicate and sensitive skin, for whom even a very small amount of detergent can cause irritation or allergy.

You are advised to also use this function for children’s clothing and for delicate fabrics in general, or when washing garments made of towelling, where the fibres tend to absorb a greater quantity of detergent. To ensure the best performance for your wash, this function is always activated on the Delicates and Woollens/Hand Wash programs.

## “DELAY START” button



# F

This button allows you to pre-programme the wash cycle to delay the start of the cycle for up to 24 hours.

To delay the start use the following procedure:

Set the required programme.

Press the button once to activate it (h00 appears on the display) and then press it again to set a 1 hour delay (h01 appears on the display); the pre-set delay increases by 1 hour each time the button is pressed, until h24 appears on the display, at which point pressing the button again will reset the delay start to zero.

Confirm by pressing the “START/PAUSE” button (the light on the display starts to flash). The countdown will begin and when it has finished the programme will start automatically.

It is possible to cancel the delay start by taking the following action:

Press and hold the button for 5 seconds until the display will show the settings for the programme selected.

At this stage it is possible to start the programme previously selected by pressing the "START/PAUSE" button or to cancel the process by setting the selector to the OFF position and then selecting another programme.

**Warning:** If there is any break in the power supply while the machine is operating, a special memory stores the selected programme and, when the power is restored, it continues where it left off.

## "TEMPERATURE SELECTION" button

**G**

When a programme is selected the relevant indicator will light up to show the recommended wash temperature.

The Temperature button can be used to decrease or increase the temperature of your chosen wash cycle.

Each time the button is pressed, the new temperature level is shown on the Wash Temperature Indicator.

## "DRYING SELECTION" button

**H**

With the programme selector not in the OFF position, press the button to select the required drying programme; an indicator will light to display the drying result selected each time you press the button.

To cancel the selection before the start of a drying programme, press the button repeatedly until the indicators go out or return the programme selector to the OFF position.

To cancel the cycle during the drying phase, hold the button down for 2 seconds until the cooling indicator lights up; given the high temperature inside the drum, we recommend that you allow the dryer to complete the cool down period before returning the programme selector to the OFF position and removing the laundry.

## "SPIN SPEED" button

The spin cycle is very important to remove as much water as possible from the laundry without damaging the fabrics. You can adjust the spin speed of the machine to suit your needs.

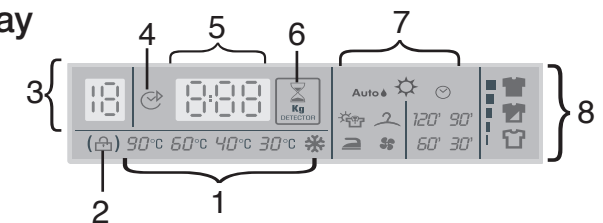
By pressing this button, it is possible to reduce the maximum speed, and if you wish, the spin cycle can be cancelled. To reactivate the spin cycle press the button until you reach the spin speed you would like to set. To prevent damage to the fabrics, it is not possible to increase the speed over that which is automatically suitable during the selection of the program.

It is possible to modify the spin speed without pausing the machine.

### Note:

The machine is fitted with a special electronic device, which prevents the spin cycle should the load be unbalanced. This reduces the noise and vibration in the machine and so prolongs the life of your machine.

## "DIGITAL" Display



The display's indicator system allows you to be constantly informed about the status of the machine:

### 1) WASH TEMPERATURE

When a programme is selected the relevant indicator will light up to show the recommended wash temperature. The Temperature button can be used to decrease or increase the temperature of your chosen wash cycle. Each time the button is pressed, the new temperature level is shown on the Wash Temperature Indicator.

### 2) DOOR LIGHT

Once the START/PAUSE button has been pressed the light first flashes then stops flashing and remains on until the end of the wash. 2 minutes after the end of the wash the light goes off to show that the door can now be opened.

### 3) SPIN SPEED

Once the programme has been selected, the maximum spin speed allowed for that programme appears on the display. Pressing the spin button will reduce the speed by 100 rpm each time the button is pressed. The minimum speed allowed is 400 rpm, or it is possible to omit the spin by pressing the spin button repeatedly.

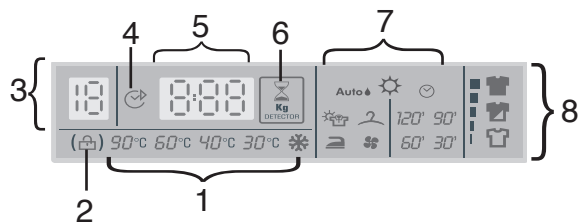
### 4) DELAY START LIGHT

This flashes when delay start has been set.

### 5) CYCLE DURATION

When a programme is selected the display automatically shows the cycle duration, which can vary, depending on the options selected. Once the programme has started you will be kept informed constantly of the time remaining to the end of the wash.

If is selected the automatic washing/drying, at the end of the wash phase, the drying time remaining to the end will be shown on the display.



#### 6) KG DETECTOR indicator

Available on Cotton and Synthetic cycles, during the first 4 minutes of the cycle the intelligent sensor will weigh the laundry and adjust the cycle time, water and electricity consumption accordingly.

#### 7) DRYING PROGRAMME INDICATORS

The indicators display the type of the drying programme:

Candy washer dryers incorporate an Automatic Sensor Drying function which takes the guesswork out of setting the drying time. You simply select the degree of dryness you require and the dryer automatically switches off when that level is reached. For added flexibility there are 3 Sensor Drying levels to choose from:

 = Extra dry programme

 = Cupboard dry programme

 = Iron dry programme

#### USEFUL TIPS:

Once the programme option has been selected, press the Start/Pause button. The appliance will then calculate the time to the end of the selected programme based upon a full dry load. During the cycle the appliance will update the time to suit the actual load size and dampness of the fabrics.

#### Timed programmes:

Alternatively you may select a pre-determined time for the drying cycle. The Timed Drying programmes may be set to the following times:

120 minutes – 90 minutes – 60 minutes – 30 minutes:

#### Cool down phase :

A 10 minute cool down phase occurs at the end of each drying cycle to ensure clothes are not too hot to touch when the cycle finishes.

#### 8) STAIN LEVEL

When a programme is selected the relevant indicator will light up to show the minimum possible Stain Level.

Selecting a greater Stain Level using the special button will cause the corresponding indicator to light up.

#### “STAIN LEVEL” button



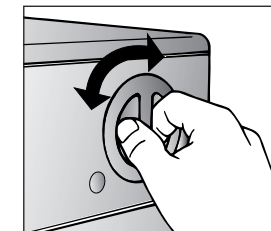
M

By selecting this button (active only on COTTON and MIXED FIBRES programmes) there is a choice of 3 levels of wash intensity, depending on how much the fabrics are soiled. Once the programme has been selected the indicator light will automatically show the minimum level required for that programme. Pressing the button increases the duration of the wash cycle, and adjusts the wash settings accordingly. For example: Using this button on the Rapid Wash cycle will enable you to select either a 14, 30 or 44 minute wash cycle.

#### PROGRAMME selector with "OFF" position

N

When the programme selector is turned the display lights up to show the settings for the programme selected.  
N.B. To switch the machine off, turn the programme selector to the “OFF” position.



Today, most detergents have been improved to wash efficiently at lower temperatures, therefore we have set the default temperature settings of each programme to a lower level, saving electricity and reducing the carbon footprint of your machine.

You can select an high temperature by pressing the temperature button.

Please refer to the programme guide for the maximum temperature to which each programme can be set.

Press the "Start/Pause" button to start the selected cycle.

Once a programme is selected the programme selector remains stationary on the selected programme till cycle ends.

Switch off the washing machine by turning the selector to "OFF".

#### Note:

The programme selector must be returned to the "OFF" position at the end of each cycle or when starting a subsequent wash cycle prior to the next programme being selected and started.

#### Buttons indicator light

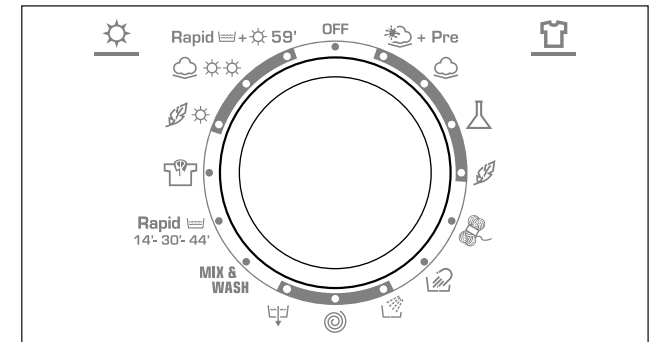
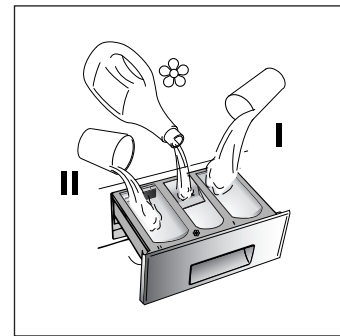
O

These light up when the relevant buttons are pressed.

If an option is selected that is not compatible with the selected programme then the light on the button first flashes and then goes off.

**TABLE OF PROGRAMMES**

PROGRAM FOR:	PROGRAMME SELECTOR ON:	WEIGHT MAX kg	RECOMMENDED TEMP. °C	MAX TEMP. °C	CHARGE DETERGENT		
						☼	
<b>Resistant fabrics</b> Cotton, linen with Prewash	1) ☼ + Pre *	8	60°	Up to: 90°	●	●	●
Cotton, mixed resistant, Coloureds	1) ☼ ** *	8	40°	Up to: 60°	●	●	
<b>Mixed fabrics and synthetics</b> Cotton, mixed fabrics, synthetics	1) ☼ *	4	40°	Up to: 50°	●	●	
<b>Very delicate fabrics</b>	☼	2,5	40°	Up to: 40°	●	●	
<b>"MACHINE WASHABLE" woollens</b>	☼	2	40°	Up to: 40°	●	●	
<b>Hand wash</b>	☼	1,5	30°	Up to: 30°	●	●	
<b>Rinse</b>	* ☼	-	-	-		●	
<b>Fast spin</b>	* ☼	-	-	-			
<b>Drain only</b>	☼	-	-	-			
<b>Mix &amp; Wash system programme</b>	<b>MIX &amp; WASH</b> *	8	40°	Up to: 40°	●	●	
<b>Resistant fabrics Mixed fabrics and synthetics Rapid 14 minute</b>	2) <b>Rapid</b> ☼ <b>14'- 30'- 44'</b>	1,5	30°	Up to: 30°	●	●	
<b>Resistant fabrics Mixed fabrics and synthetics Rapid 30 minute</b>		2,5	30°	Up to: 40°	●	●	
<b>Resistant fabrics Mixed fabrics and synthetics Rapid 44 minute</b>		* 3,5	30°	Up to: 40°	●	●	
<b>Mixed, delicate synthetics</b>	* ☼	3,5	30°	Up to: 40°	●	●	
<b>Mixed - Drying</b>	☼ ☼	5	-	-			
<b>Cotton - Drying</b>	☼ ☼ ☼	4	-	-			
<b>Cotton - Mixed</b>	Rapid ☼ + ☼ 59'	1,5	30°	Up to: 30°	●	●	



**Please read these notes**

When washing heavily soiled laundry it is recommended the load is reduced to 4 kg maximum.

**Information for the test laboratories (Ref. EN 50229 Standards)**

**Washing**

Use the programme \*\* with the maximum stain level selected, maximum spin speed and a temperature of 60°C. Programme recommended also for test with a lower temperature.

**Drying**

First drying with 5kg (the load consist: pillowcases and hand-towels) selecting the cotton drying programme (☼ ☼ ☼ ☼) cupboard dry (2).  
Second drying with 2kg (the load consist: 2 sheets and hand towels) selecting the cotton drying programme (☼ ☼ ☼ ☼) 90 minutes (90).

The spin speed may also be reduced, to match any guidelines suggested on the fabric label, or for very delicate fabrics cancel the spin completely this option is available with a spin speed button.

■ Pressing the wash temperature button makes it possible to wash at any temperature below the maximum allowed.

\* Programmes for automatic drying.

1) For the programmes shown you can adjust the duration and intensity of the wash using the Stain Level button.

2) Using the Stain Level button on the Rapid cycle will enable you to select either a 14, 30 or 44 minute wash cycle.



# Programme selector

For the various types of fabrics and various degrees of dirt the washing machine has different programme bands according to: wash cycle, temperature and length of cycle (see table of washing cycle programmes).

TABELLA PROGRAMMI				
PROGRAMMA PER:	SELEZIONE PUNTIATORE MANOPOLA PROGRAMMI SU:	CARICO MAX. kg	TEMP. °C	
Tessuti resistenti Piane, fino, canapò	Colore resistente - 90	5	Fino a: 90°	(●)
Tessuti misti resistenti	Colorato - 60	5	Fino a: 60°	(●)
Colore misti	Delicato - 40	5	Fino a: 40°	(●)
Tessuti resistenti	AA 40°C - 40	5	Fino a: 40°	
Tutti i tessuti e sintetici Misti resistenti	Sintetici - 50	2	Fino a: 50°	(●)

## COTTON WITH PRE WASH

The Cotton programme is designed for maximum washing and rinsing efficiency. With spin cycles in between, the programme guarantees the laundry is rinsed perfectly. The final spin cycle ensures laundry is spun dry as much as possible up to the maximum speed.



The Cotton programme includes a Prewash cycle. This option is particularly useful for really dirty loads and can be used independently of the main wash programme. Additional detergent for the Prewash part of the programme should be added to the first compartment of the soap drawer labelled "I" (please refer to the section of this manual entitled "Detergent"). We recommend you use only 20% of the quantity used for the main wash programme.

## COTTONS

The Cottons programme is also designed for maximum washing and rinsing efficiency. With spin cycles in between, the programme guarantees the laundry is rinsed perfectly. The final spin cycle ensures laundry is spun dry as much as possible up to the maximum speed. This cycle is set to 40°C, but the temperature may be altered using the Temperature option button.



## MIXED AND SYNTHETIC FABRICS

The main wash and the rinse gives best results thanks to the rotation rhythms of the drum and to the water levels. A gentle spin will mean that the fabrics become less creased.



## SPECIAL DELICATE FIBRES

This is a new wash cycle which alternates washing and soaking and is particularly recommended for very delicate fabrics. The wash cycle and rinses are carried out with high water levels to ensure best results.



## WOOLMARK PROGRAMME

The special cycle enables to thoroughly wash garments without damaging them. The cycle comprises of alternate periods of activity and pauses. The programme has a maximum temperature of 40° and concludes with 3 rinses and a short spin.



## SPECIAL "HAND WASH"

This washing machine also has a gentle Hand Wash programme cycle. This programme allows a complete washing cycle for garments specified as "Hand Wash only" on the fabric care label. The programme has a temperature of 30°C and concludes with 3 rinses and a slow spin.



## SPECIAL "RINSE" PROGRAMME

This programme carries out three rinses with a intermediate spin (which can be reduced or excluded by using the correct button). It can be used for rinsing any type of fabric, eg. use after hand-washing.



## SPECIAL "SPIN" PROGRAMME

Programme "SPIN" carries out a maximum spin (which can be reduced by using the correct button).



## DRAIN ONLY

This programme drains out the water.



## "MIX & WASH SYSTEM" PROGRAMME

This is an exclusive Candy system and involves 2 great advantages for the consumer:

- to be able to wash together different type of fabrics (e.g. cotton + synthetic etc...) **FAST COLOURED**;
- to wash with a considerable energy saving.

## MIX & WASH

The "Mix & Wash" programme has a temperature of 40°C and alternate dynamic phases (the basket that turns) to static phases (fabrics in soak in phase of rest) with a duration programme that almost reaching the 2 hours.

The energy consumption for the complete cycle is only 850 W/h.

### Important:

- the first washing of new coloureds fabrics must be done separately;
- in every case, **never mix NON-FAST COLOURED**s fabrics.

## RAPID PROGRAMME

This programme is particularly suited to slightly dirty cottons and mixed fabrics. Using the Stain Level button on the Rapid cycle will enable you to select either a 14, 30 or 44 minute wash cycle.

When selecting the rapid programme, please note that we recommend you use only 20% of the recommended quantities shown on the detergent pack. For information about these programmes please refer to the programmes table.

Rapid Wash  
14'-30'-44'

## “SHIRTS” PROGRAMME

This programme allows a complete washing cycle for shirts. The main wash and the rinse gives best results thanks to the rotation rhythms of the drum and to the water levels. The programme has a maximum temperature of 40°C and concludes with 3 rinses and a short spin.



## DRYING

**Note: Dispensers used for concentrated powders and liquid detergents must be removed from the drum before commencing the tumble drying programmes.**

The drum changes direction during the drying cycle to prevent the laundry from tangling and hence produce even drying. Cool air is used during the last ten minutes of the drying cycle to minimise creasing.

## LOW HEAT

Low temperature drying programme for synthetics and mixed fibres, always refer to the care label.



## HIGH HEAT

High temperature drying programme for Cottons and linen items, always refer to the care label



## WASH'N DRY 59'

Rapid  +  59'

When you only have a few items to wash and dry in a hurry, this 59 minute cycle is the ideal time saver!

Suitable for a light 1.5kg load size (e.g. 4 shirts) or slightly dirty fabrics, this cycle will wash, rinse, spin and dry your garments in under an hour.

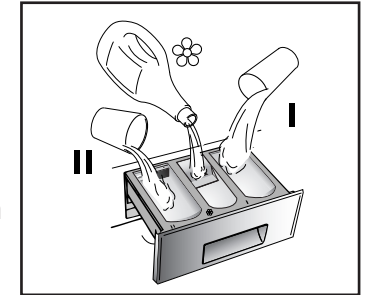
We recommend that you reduce the detergent dosage when using this programme to avoid wastage.

## Detergent drawer

P

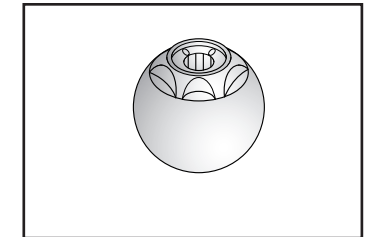
The detergent drawer is split into 3 compartments:

- the compartment labelled "I" is for prewash detergent;
- the compartment labelled "☼" is for special additives, fabric softeners, fragrances, starch, brighteners etc;
- the compartment labelled "II" is for main wash detergent.



### NOTE:

**Some Detergents are Difficult to utilise. Ensure to use an in drum dispenser if recommended by the detergent Manufacturer.**



**Note: only put liquid products in the compartment labelled “ ☼ ”. The machine is programmed to automatically take up additives during the final rinse stage for all wash cycles.**

## Detergents, washing aids and amounts to use

### Choice of detergent

#### General purpose detergents

- **Powder detergents**, for a thorough wash, with bleaching agent, particularly suitable for use in hot wash programmes (60°C and over), for heavily soiled and stained laundry.
- **Liquid detergents**, particularly suitable for grease stains, such as greasy skin marks, cosmetics and oil.  
These detergents are not suitable for washing stained laundry, as they do not contain bleach.
- **Biological detergents**, not all the products available give a really thorough wash.

#### Additional laundry aids

- **Water softener**, means less detergent can be used where water hardness is classed as hard to very hard.
- **Prewash substances**, for the programmed treatment of stains prior to the main wash. Using them means the subsequent wash can be at a low temperature or with bleach-free detergents.
- **Fabric softener**, prevents static build-up in synthetic fabrics and softens fabrics. If you own a tumble dryer, clothes are softened even without the use of a fabric softener.

#### Do not put solvents in the washing machine!

Keep detergents and other laundry products out of children's reach.

Before pouring in the detergent check that there are no foreign bodies in the detergent drawer.

Dosage details are usually shown on the detergent packaging. Follow those instructions.

## Dosages

Only use detergents which are suitable for use in a washing machine.

You will obtain the best results from your wash with the minimum use of chemical products and the best care for your laundry if you take into consideration the degree of soiling as well as the type of detergent to choose.

The amount of detergent to use depends on:

- water hardness: depending on the hardness of the water and the type of detergent used, it is possible to reduce the amount of detergent.
- the degree of soiling: it is possible to reduce the amount of detergent used depending on the degree of soiling.
- amount of laundry: it is possible to reduce the amount of detergent when washing only a small amount of laundry.

### Dosage for powder detergent

**For normal and low concentration detergents:** for normally soiled laundry choose a programme without prewash.

Put the detergent in compartment "II" of the drawer.

For heavily soiled laundry, choose a programme with prewash.

Put 1/4 of the detergent in compartment "I", 3/4 in compartment "II" of the drawer.

When using water softeners, first put in the detergent, then add the softener to compartment "II".

For highly concentrated detergents not in single dose format, follow what is shown on pack exactly as regards type and amount of dosage.

To avoid the difficulty of checking if the detergent has been taken up, use the dosage aids provided in the detergent packaging.

### Liquid detergent dosage

Liquid detergents may be used in accordance with the instructions on the relevant packaging, for all programmes without prewash, by using the special container which is placed in the drum or, for those models that have it, in the special insert for liquid detergents.

## Useful advice for users

Tips on using your domestic appliance in the most environmentally-friendly and economical way

### Do a full load in your washing machine

To prevent any possible waste of energy, water or detergent we recommend that you put a full load in your washing machine, not exceed the recommended maximum load size. Up to 50% energy saving can be made with one full load compared to two half load washes

### When is prewashing really needed?

Only with particularly dirty loads!  
Energy savings of 5 to 15% are made by not selecting the prewash option for normal soiled laundry.

### Which wash temperature should you choose?

Using stain removers before machine washing reduces the need to wash at temperatures over 60°C.  
Energy savings of up to 50% can be made by using a 60°C wash temperature rather than 90°C

### Before using a drying programme...

SAVE energy and time by selecting a high spin speed to reduce the water content in laundry before using a drying programme.

## Main wash


### Sorting the laundry

- It is recommended you wash only items which are machine washable with water and detergent and not dry-clean items.
- If you need to wash rugs, bedspreads or other heavy items, it is best not to spin them.
- Sort the laundry according to fabric type, degree of soiling and wash temperature: Always follow the wash care advice on the garment label for the most suitable care and treatment of the laundry

**Laundry for hot wash** 

**Coloured, easy-care materials**   

**Delicates and wool**  

**Wash by hand** 

Items labelled with the following symbol are not suitable for machine washing:

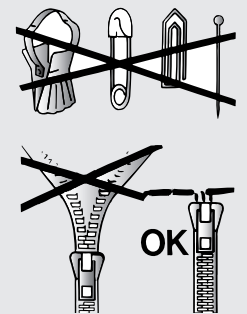
**Dry clean** 

For very delicate items, such as net curtains, underwear, tights etc., you are advised to use a laundry net or wash bag.

- Woollen items must be labelled with the "Pure New Wool" symbol to be washed in the machine and must also be labelled "non-matting" or "machine washable".
- Colour often leaks from new coloured items. This can then colour other lighter items being washed. We therefore recommend that coloured items should be washed for the first time separately. For future washes, colourfast items can only be washed with whites up to 40°C.

### Note: when sorting laundry

- check there are no metal objects in the laundry (such as paper clips, safety pins, pins, coins etc...);
- button up pillowcases, fasten zips, hook & eye fasteners, belts and long dressing gown cords;
- remove curtain hooks;
- pay close attention to the labels on items
- if you notice stubborn stains whilst sorting the laundry, remove them using a special detergent or a special stain remover.



- We recommend that you do not do a full load of towelling items only as these become too heavy since they absorb a lot of water.

## The correct way to wash

### Preparing the laundry

A) Select the laundry.

### Loading the laundry

B) Open the porthole.

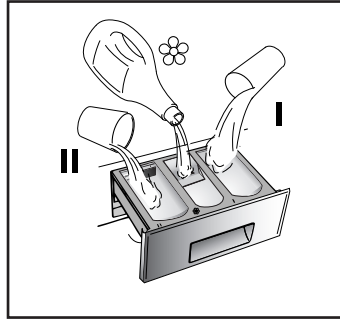
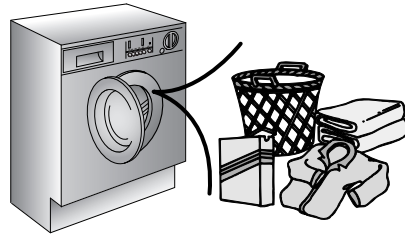
C) Put the laundry in the washing machine.

Close the porthole again, ensuring that no items of laundry are obstructing the lock.

### Putting detergent in machine

D) Open the drawer, choose the detergent and put in the correct amount, according to the manufacturer's instructions and the advice on page 20.

Add any other laundry aids (see page 20). Close the drawer again.



## Selecting the wash programme

Refer to the programme guide or the programme descriptions on the machine to select the most suitable programme.

Turning the selector knob, the required programme is activated.

Adjust the wash temperature if necessary.

Press additional function buttons (if required).

Check that the tap is turned on and that the discharge hose is positioned correctly.

Press the "Start/Pause" button.

When the "Start/Pause" button is pressed the machine sets the working sequence in motion.

The programme carries out with the programme selector stationary on the selected programme till cycle ends.

**Warning:** If there is any break in the power supply while the machine is operating, a special memory stores the selected programme and, when the power is restored, it continues where it left off.

## When the programme is finished

The word "End" will appear on the display.

Wait for the door lock to be released (about 2 minutes after the programme has finished).

The "Door Security" indicator light will go out.

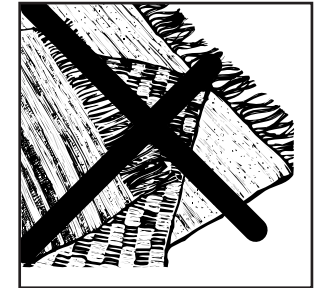
Switch off the machine by turning the programme selector on the "OFF" position. Open the door and remove the laundry. Turn off the tap.

## DRYING

**DON'T DRY GARMENTS MADE FROM FOAM RUBBER OR FLAMMABLE MATERIALS.**

### IMPORTANT:

**THIS DRYER CAN ONLY BE USED FOR LAUNDRY WHICH HAS BEEN WASHED AND SPIN DRIED.**



### WARNING:

Indications given are general, therefore some practice is needed for the best drying results. We recommend setting a lower drying time than indicated, when first using, so as to establish the degree of dryness required. We recommend not to dry fabrics that fray easily, such as rugs or garments with a deep pile, to avoid air duct clogging.

The water is then conveyed to the drain circuit, which is sealed and therefore, no steam can be released outside.

### Important

**Never open the door after the drying cycle has begun - wait until the cool down period provided for by the cycle.** ☀

Only dry pre-spun laundry

The washer/dryer can perform two types of drying:

1 Cotton, terry towelling, linen, hemp fabrics, etc... ☁☀☀ symbol on programme dial.

Advisory note

**During drying phase the drum will accelerate to a higher speed to distribute the load and to optimize the drying performance**

2 Mixed fabrics (synthetics/cotton), synthetic fabrics 🌿☀ symbol on programme dial.

## Automatic washing/drying

**Warning: only a maximum 5 kg of dry laundry can be loaded otherwise the dried laundry will be not satisfactory.**

### WASHING:

Open the drawer, choose the detergent and put in the correct amount.  
Refer to the list of washing programmes according to fabrics to be washed (e.g. very dirty cotton) and without pressing Start button, prepare wash as described:  
Turning the selector knob, the required programme is activated.  
The display will show the settings for the programme selected.  
Adjust the wash temperature if necessary.  
Press the option buttons (if required)  
Check that the tap is turned on and that the discharge hose is positioned correctly.

### DRYING:

Select the degree of dryness that you require.  
This ranges from Extra Dry (☀️☀️☀️) for bath towels and bathrobes, through Cupboard Dry (☀️☀️) for items that will be put away without ironing, to iron dry (☀️) that leaves the laundry suitable for ironing.  
If you wish to select a timed drying cycle, press the “drying programme selection” button until the required time indicator lights up.

Press the "Start/Pause" button.  
When the "Start/Pause" button is pressed the machine sets the working sequence in motion.  
The programme carries out with the programme selector stationary on the selected programme till cycle ends.

At the end of the wash phase the display will shown the drying time remaining.

The washer-dryer will then complete the entire drying programme.

The drying programme indicator will be on until the cool down phase will begin and the indicator “🌀” will go on.

### When the programme is finished

The word “End” will appear on the display.  
Wait for the door lock to be released (about 2 minutes after the programme has finished).  
The "Door Security" indicator light will go out.  
Switch off the machine by turning the programme selector on the “OFF” position. Open the door and remove the laundry. Turn off the tap.

## Drying cycle

### The correct way to dry:

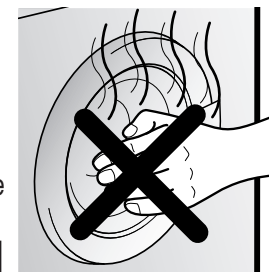
- Open door.
  - Fill with up to 5 kg - in case of large items (e.g. sheets) or very absorbent items (e.g. towels or jeans), it is a good idea to reduce the load.
  - Close door.
  - Turn programme dial to ☁️☀️☀️ cotton.
- Select the degree of dryness that you require.

This ranges from Extra Dry (☀️☀️☀️) for bath towels and bathrobes, through Cupboard Dry (☀️☀️) for items that will be put away without ironing, to iron dry (☀️) that leaves the laundry suitable for ironing.

If you wish to select a timed drying cycle, press the “drying programme selection” button until the required time indicator lights up.

### DOUBLE-SKIN DOOR

The appliance door is fitted with a protective shield to prevent contact with the glass door which can reach high temperatures, during the drying cycle.  
It should not be necessary to remove the shield from the machine during the normal course of use.



**Warning: do not touch door for any reason.**

- Make sure water inlet valve is open.
- Make sure water drain is correctly positioned.

**Warning:**  
**do not dry woollen garments or articles with special padding, (e.g. quilts, quilted anoraks, etc.).**  
**Delicate fabrics if garments are drip/dry, load less items as to prevent creasing.**

Press the START button.  
The drying phase will begin with the programme dial fixed on the ☀️☀️☁️ symbol until the end of drying.

The drying programme indicator will be on until the cool down phase will begin and the indicator “🌀” will go on.

### When the programme is finished

The word “End” will appear on the display.  
Wait for the door lock to be released (about 2 minutes after the programme has finished).  
The "Door Security" indicator light will go out.  
Switch off the machine by turning the programme selector on the “OFF” position. Open the door and remove the laundry. Turn off the tap.

## Table of drying times (in minutes):

PROGRAMME	COTTON		MIXED	
	Min 1 Kg	Max 5 Kg	Min 1 Kg	Max 3,5 Kg
Extra	from 30'	to 230'	from 30'	to 170'
Cupboard	from 30'	to 220'	from 30'	to 150'
Iron	from 30'	to 170'	from 30'	to 80'

The time remaining shown on the digital display will show the time remaining for a full load. However, this will be corrected during the cycle once the appliance assesses the weight and dampness of the laundry.

### USEFUL TIPS:

Do not dry unwashed items in the washer dryer.

Items that have been soiled with substances such as cooking oil, acetone, alcohol, petrol, kerosene, spot removers, turpentine, waxes and wax removers should be washed in hot water with an extra amount of detergent before being dried in the washer dryer.

Items such as foam rubber (latex foam), shower caps, waterproof textiles, rubber backed articles and clothes or pillows fitted with foam rubber pads should not be dried in the washer dryer.

Fabric softeners, or similar products, should be used as specified by the fabric softener instructions.

The final part of a washer dryer cycle occurs without heat (cool down cycle) to ensure that the items are left at a temperature that ensures that the items will not be damaged.

#### WARNING:

Never stop a washer dryer before the end of the drying cycle unless all items are quickly removed and spread out so that the heat is dissipated.

## Cleaning and routine maintenance

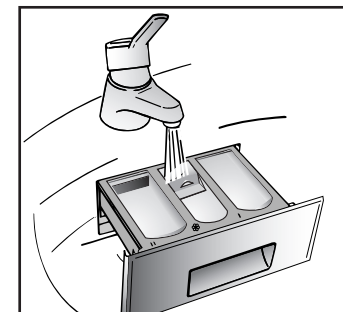
Do not use alcohol-based scourers and / or thinners on the outside of your washing machine, just a wipe with a damp cloth will suffice. The washing machine needs very little maintenance:

- Cleaning the drawer compartments.
- Cleaning the door glass.

### Cleaning the drawer compartments

Even if it is not strictly necessary, it is good to clean the compartments for bleaching detergents and additives occasionally.

- A) To do this you just need to pull them out firmly, but without forcing them.
- B) Clean everything in the compartment under running water.
- C) Put everything back in its proper place.



### Cleaning the door glass

Regularly clean the door glass with a damp cloth. A build up of soiling and residues from the water may result in water leaking from the door.

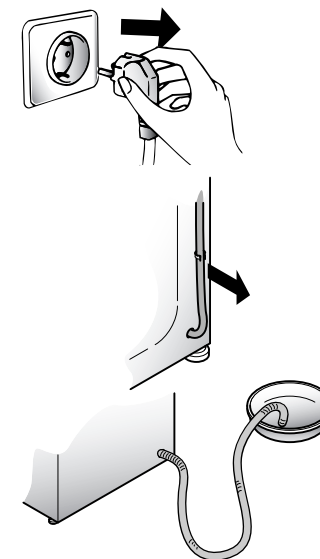
Do not use abrasive cleaners as they can scratch the surface.

### Transporting the appliance or long periods when appliance is not in use

If the appliance is being transported or is out of use for long periods in unheated places, all remaining water must be completely removed from the hoses.

Ensure mains power is off, then unclip the hose and point it downwards into a basin until all the water has emptied out.

When finished, repeat the operation in the reverse order.



# Investigating malfunctions

## What might be the cause of... Defects you can remedy yourself

MALFUNCTION	CAUSE	REMEDY
1. Does not work on any programme	Plug not in socket. Not switched on. Power failure. Fuse blown. Door open.	Plug it in. Switch on. Check. Check. Close door.
2. Does not fill with water	See cause 1. Tap turned off. Programme selector not correctly positioned. Fill hoses are kinked	Check. Turn on tap. Position programme selector correctly. Straighten fill hoses
3. Water does not drain away	Kink in discharge hose. House drain is blocked	Straighten discharge hose. Clean drain
4. Water on floor around the washing machine	Leaking gasket between tap and water inlet hose. House drain is blocked Soap drawer blocked with soap residues	Replace gasket and tighten hose and tap well. Clean drain Clean soap drawer
5. Does not spin	Water has not yet drained away. "No spin" selected (certain models only).	Wait a few minutes for machine to empty. Reset button or turn "no spin" knob.
6. Machine vibrates a lot during spin	Washing machine not completely level. Transit brackets not removed yet. Load not distributed evenly.	Adjust the special adjustable feet. Remove transit brackets. Rearrange the laundry evenly.
7. Door will not open	Two minutes have not elapsed since the programme finished.	Wait two minutes.
8. Display reads error 0, 1, 5, 7, 8, 9	-	Call service.
9. Display reads error 2	No water fill.	Check water supplies are on.
10. Display reads error 3	No pump out.	Check drain is clear. Check drain hose is not kinked.
11. Display reads error 4	Machine overfilled with water.	Turn off water supply to machine. Call service.

**During drying phase the drum will accelerate to a higher speed to distribute the load and to optimize the drying performance**

The machine makes a different noise when spinning! This is because it has a brush motor for better performance.

Only a small level of water can be seen in the drum! This is because new machines do not use much water, yet achieve the same standard of washing and rinsing.

### Note:

The use of environmentally-friendly, phosphate-free detergents can have the following effects:

- waste water from rinsing may be cloudier because of the presence of zeolites held in suspension, without the rinse performance being adversely affected;
- presence of white powder (zeolites) on laundry after washing, which is not absorbed by the fabric and does not alter the colour of the fabric.
- The presence of foam in the final rinsing water is not necessarily an indication of poor rinsing.
- Anionic surfactants used in washing detergent formulae often prove to be difficult to remove from the laundry itself and, even in small quantities, can still cause considerable foam production.
- Carrying out more rinse cycles does not serve any purpose in such cases.

## CUSTOMER SERVICE AND GUARANTEE

Your new appliance is fully guaranteed by the manufacturer for 12 months against electrical/mechanical breakdown excluding:

- A.** Any faults which occur due to bad installation or misuse of the machine.
- B.** Any faults which occur due to repair of, or interference with, the machine by any person not authorised by the manufacturer to carry out service.
- C.** Any faults which arise from parts fitted to the machine which are not the manufacturers original parts.
- D.** Any faults arising from non-domestic use or unusual or abnormal use of the machine.
- E.** Any faults arising from operation at an incorrect voltage.
- F.** Any faults arising from incorrect operation of the machine.

The guarantee applies to Gt. Britain and Northern Ireland only, and is an addition to your statutory rights.

### After Sales Service

If, having investigated the possible malfunctions on the chart on the previous page, you believe the appliance is not working correctly, please call our After Sales Service dept. on telephone number:

**Gias Service - Tel: 08705 400 600**  
**Support Service (Eire 0818 200021)**



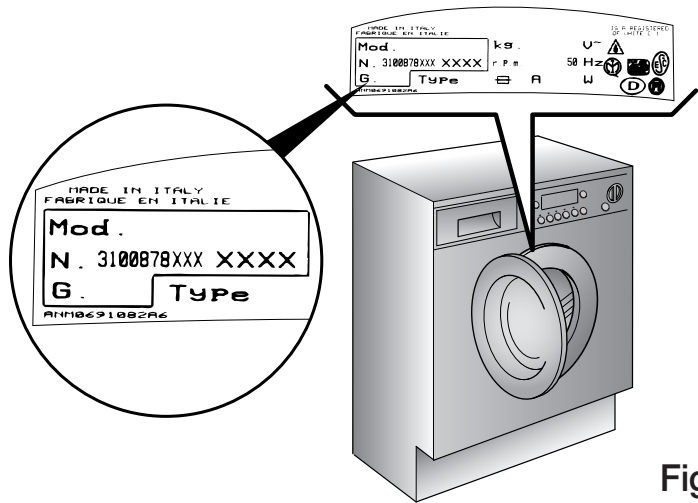


Fig. 2

## Technical data

- Max. load of dry laundry
- Max. load of dry laundry for drying
- Water pressure

8 kg  
5 kg  
0,05 ÷ 0,8 MPa

### Measurements

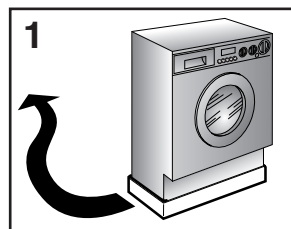
- Width
- Depth
- Height

60 cm  
54 cm  
82 cm

NB: For specifications regarding electrical data, see the data panel on the front of the washing machine (porthole area) - as shown in diagram above.

**CE** Appliance complies with European Directives 73/23/EEC and 89/336/EEC, replaced by 2006/95/EC and 2004/108/EC, and subsequent amendments.

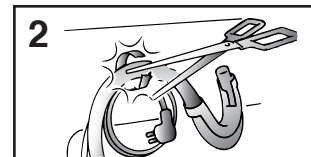
## SETTING UP + INSTALLATION



Remove the polystyrene base and place the machine near its permanent position (diagram 1).

Carefully cut through the hose retaining clip at the rear of the appliance (diagram 2).

Remove the 3 fixing screws marked (A) and remove the 3 spacers marked (B) (diagram 3).

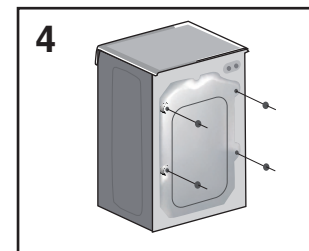
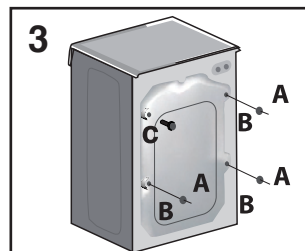


Remove the screw (C).

A spacer will fall inside the machine.

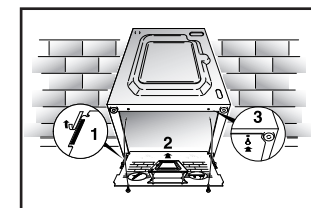
By tilting the machine, remove the above mentioned spacer.

Cover the 4 holes using the caps provided in the instruction booklet pack (diagram 4).



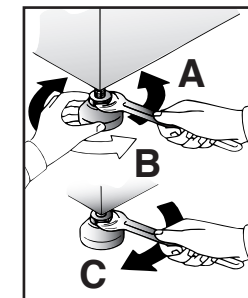
**WARNING:**  
DO NOT LEAVE THE PACKAGING WITHIN REACH OF CHILDREN AS IT IS A POTENTIAL SOURCE OF DANGER.

Apply the insulation sheet of corrugated material to the base as shown.



Use the 4 feet to level the machine with the floor:

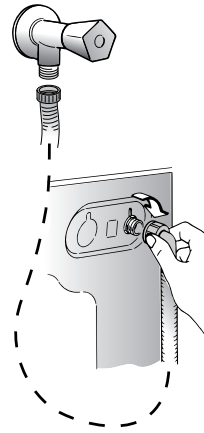
- a) Turn the nut clockwise to release the screw adjuster on the foot.
- b) Rotate the foot to raise or lower it until it stands firmly on the ground.
- c) Lock the foot in position by turning the nut anti-clockwise until it comes up against the bottom of the machine.



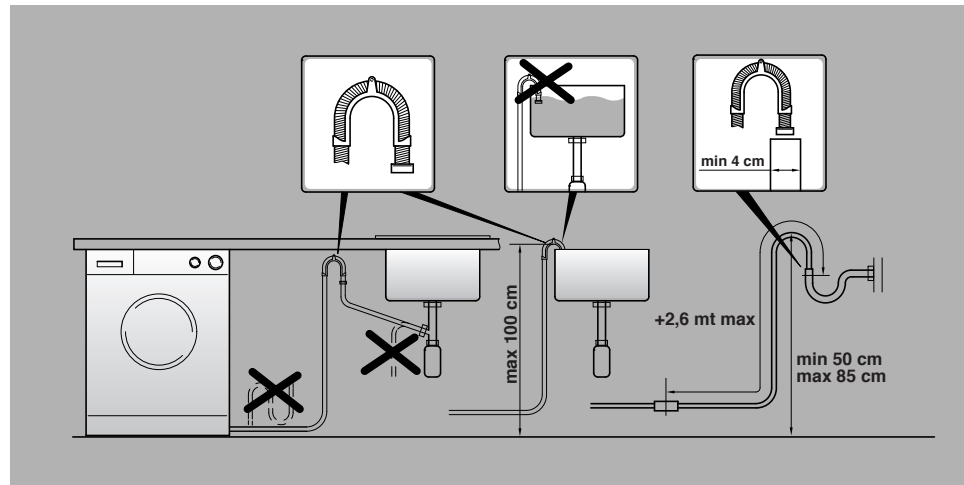
**Note:** we recommend you keep the screws to immobilise the machine for future transit.  
**The Manufacturers will not be responsible for any possible damage to the machine caused by not following the rules relating to releasing the mechanism.  
 The user is responsible for all costs of installation.**

### Water connection

The appliance must be connected to the water mains using new hose-sets.  
 The old hose-sets should not be re-used.  
 The machine has an inlet hose with 3/4" B.S.P threaded end connection to attach between the threaded connector on the appliance and the cold water supply.



**This machine only uses cold water, therefore only one hose is needed to connect to the cold water supply. Do not connect to the hot supply. Cold fill is an energy efficient system. Only the water required for the washing is heated. There is no loss of heat in the pipeline from a hot water tank or boiler to the machine.**



**Note:** it is advisable to turn off the tap after each wash to isolate the washing machine from the water supply.

For the washing machine to function properly the terminal end of the discharge hose (mouth) must be at a minimum of 50 cm and a maximum of 85 cm from the ground.

### ELECTRICAL CONNECTIONS


After installation, the appliance must be positioned so that the plug is accessible.

If the plug we supply does not fit

**CUT IT OFF AND DESTROY IT!**

You can't use it on other appliances, and the exposed wires could be dangerous if plugged in.

To fit a replacement plug, proceed as follows:

Connect	to the terminal in the plug
green and yellow wire	marked with the letter E, OR marked with the symbol,  OR coloured green, OR coloured green and yellow.
blue wire	marked N OR coloured black.
brown wire	marked L OR coloured red.

### WARNING

This appliance must be earthed

Fuses and plugs

This appliance should be used only on a socket with a minimum rating of 13 Amp.

Our ready-fitted plug is already equipped with a 13 amp fuse which is BS 1362 ASTA approved. Any replacement should be exactly the same.

If the fuse cover is lost, do not use the plug until it is replaced. A correct replacement fuse cover (obtainable from your local retailer) must be the same colour as shown or named on the insert on the base of the plug.

---

# CANDY

---

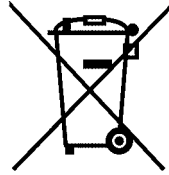
This appliance is marked according to the European directive 2002/96/EC on Waste Electrical and Electronic Equipment (WEEE).

By ensuring this product is disposed of correctly, you will help prevent potential negative consequences for the environment and human health, which could otherwise be caused by inappropriate waste handling of this product.

The symbol on the product indicates that this product may not be treated as household waste. Instead it shall be handed over to the applicable collection point for the recycling of electrical and electronic equipment. Disposal must be carried out in accordance with local environmental regulations for waste disposal.

For more detailed information about treatment, recovery and recycling of this product, please contact your local city office, your household waste disposal service or the shop where you purchased the product.

---



EN



11.12 - Revised by RG - Printed in Italy - Imprimé en Italie

The manufacturer declines all responsibility in the event of any printing mistakes in this booklet. The manufacturer also reserves the right to make appropriate modifications to its products without changing the essential characteristics.